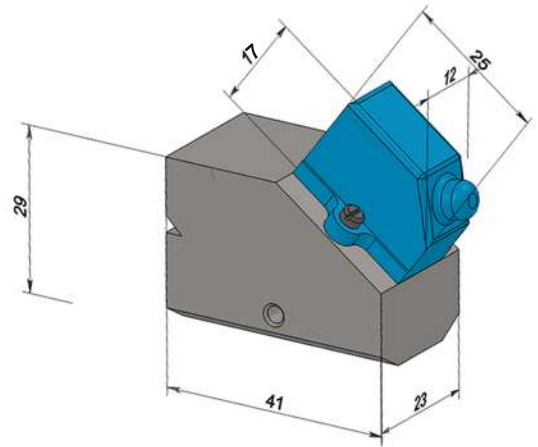


## SPECIFICATIONS TRANSDUCER ON PHAZED ARRAYS



PA	Name	Amount of elements	Frequency, MHz	Dimensions, mm
	PA 2,25L16-1,0x10-17	16	2,25	25x23x20
	PA 2,25L32-1,0x20-27	32	2,25	36x36x28
	PA 5,0L16-0,6x10-17	16	5,0	23x16x20
	PA 2,25L32-0,6x10-17	32	2,25	23x23x20
Wedge	Name	Nominal angle of entry into steel	Wave type	Dimensions, mm
	N55S-T1-17	55	shear	42x23x29
	N55S-T2-17	55	shear	23x23x14
	N55S-T3-27	55	shear	58x40x33
	N45L-T4-27	45	longitudinal	55x40x57